



Introducing
ACTIVA 125
Anniversary Edition



Thank You India



Introduction

Introducing the Honda Activa 25th Anniversary Edition* where unparalleled reliability meets a fresh new look. Experience real-time updates, intelligent features, and a new aesthetic design for a smooth and enjoyable ride.



*The 25th Anniversary edition is available for Activa 125's Deluxe variant only.

Smart design, Stylish presence.

Make a style statement with your Activa 125's special 25th Anniversary design and stand out in every crowd.



ANNIVERSARY GRAPHICS AND SPECIAL BLACK CHROME

Featuring a sleek black chrome emblem on the front with an exclusive anniversary graphic on the side panel, allowing you to stand out.

25 YEAR ANNIVERSARY LOGO

Aesthetically designed logo on the front of the Activa 125 showcasing 25th Anniversary.





FRONT AND REAR ALLOY WHEELS

Upgrade the appearance of your Activa with Pyrite Brown Metallic alloy wheels in brand-new cool colours, which provide enhanced stability and durability.



SEAT AND INNER PANEL

Sophisticated, premium feel, and enhanced appeal with an elegant premium black seat and inner panel in Activa 125.





LED Headlamp and Signature LED Position Lamp

The elegant LED headlamp with a signature position lamp elevates the Activa 125's style to new heights.

125

STRIKING TAIL LAMP

Grab attention of every viewer and leave a lasting impression with a stylish tail lamp design.



Smart Technology

The Activa 125 is packed with cutting-edge smart features and the latest technology to enhance your riding experience.



TFT SCREEN DISPLAY

The Activa's fully loaded meter features a superb display for great daytime and nighttime visibility, with its 10.67cm TFT display, which also provides multi-angle viewing and ensures high image quality. The screen also features three adjustable brightness levels.

Advanced Idling Stop System

Engine automatically comes to a stop when the Activa 125 is under 21kmph, saving extra fuel in heavy traffic.



Efficiency, Fine Tuned

The Activa features a TFT meter to monitor fuel consumption, efficiency, and remaining distance during your ride.

Live Mileage Indicator

It displays live fuel efficiency throughout the ride.

Average Mileage

It displays overall fuel consumption during the trip.

Range

It displays the distance you can travel with remaining fuel in the tank.

Eco-Indicator

Tracks real-time driving conditions to maintain fuel efficiency on a real-time basis.



PGM-FI

FUEL INJECTION

Intelligent PGM-FI system for optimum air-fuel ratio that provides superior performance, fuel savings, and reliable starts in any weather and lowered emissions.

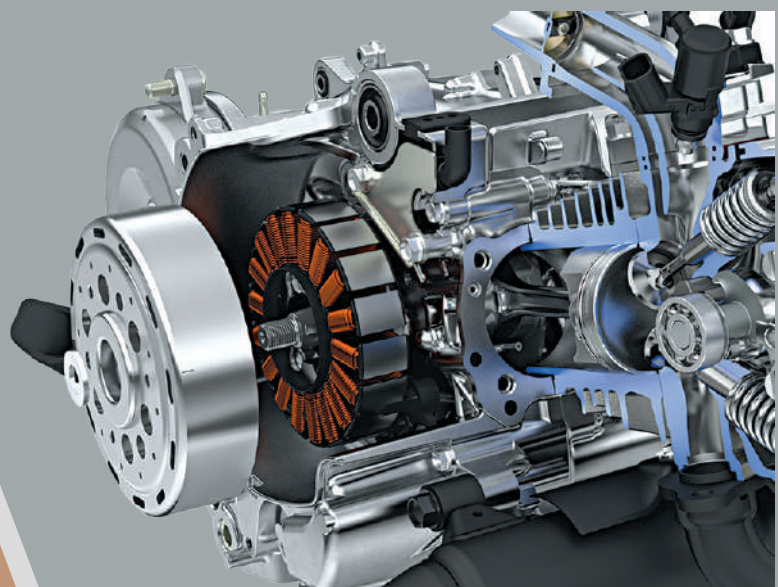


POWERFUL 125CC ENGINES

Top-tier power and acceleration to make rides exciting.

SILENT START WITH ACG

Experience smooth and silent starts with reduced gear noise and maintenance.



Experience advanced technology that enhances combustion, performance, and fuel efficiency like never before.

Reliability & Comfort

With Honda's ever-trusted legacy, the Activa ensures every ride is smooth, dependable, and comfortable.



OPEN GLOVE BOX

A spacious open glove box provides extra storage for essentials.

15W USB-C PORT

Charge your smartphone, earphones, power bank on-the-go, with all device compatibility





DOUBLE LID EXTERNAL FUEL FILL

Refuel while seated, thanks to the convenience of double-lid fuel access.



Safety

Supported by Honda's strong legacy, the Activa ensures that every ride is smooth, reliable, and comfortable.



SIDE STAND ENGINE CUT-OFF

When the side stand is open the side stand engine Cut-off prevents the engine from starting.



TELESCOPIC FRONT SUSPENSION

Every ride made extra comfortable with telescopic front suspension.



POWERFUL DISC BRAKE

With a powerful 190 mm disc brake, the Activa 125 DLX give you better control, balanced braking, and enhanced safety to smarter rider.



Exclusive colour scheme.

The 25th Anniversary Activa 125 deserves to be seen. These bold new colours will make heads turn and have you stand out.



Mat Steel
Black Metallic



ACTIVA 125

Anniversary Edition

Technical Specification+



Body Dimensions

Length	1850 mm
Width	707 mm
Height	1160 mm
Wheel Base	1260 mm
Ground Clearance	162 mm
Kerb Weight	Dlx - 107 kg
Seat Length	712 mm
Fuel Tank Capacity	5.3 L



Engine

Type	4 Stroke, SI Engine
Displacement	123.92 cc
Max Net Power	6.20 kW @ 6500 rpm
Max Net Torque	10.5 N-m @ 5000 rpm
Fuel System	PGM - FI
Bore x stroke	50.0 mm X 63.1 mm
Compression ratio	10.0 : 1
Starting Method	Dlx - Kick/Self



Transmission

Clutch Type	Automatic Centrifugal Clutch Dry Type
-------------	--



Tyres & Brakes

Tyre size & Type (Front)	90/90-12 54J
Tyre size & Type (Rear)	90/100-10 53J
Brake Type & Size (Front)	Disc 190 mm
Brake Type & Size (Rear)	Drum 130 mm



Frames & Suspensions

Frame Type	Under Bone
Front Suspension	Telescopic
Rear Suspension	3 Step Adjustable Spring Loaded Hydraulic



Electricals

Battery	12V, 5.0Ah
Head Lamp	LED , DC

+The technical specifications and design of the vehicles may vary according to the requirements and conditions without any notice. All features may not be part of all variants. Terms and conditions apply.

Honda Motorcycle and Scooter India Pvt. Ltd.

Registered Office: Plot No. 1 , Sector - 03, IMT Manesar, Distt. Gurugram,
(Haryana) – 122050, India

Ihaveri Honda
312 HANUMAN BLDG, PERIN NARIMAN STREET, FORT
MUMBAI
Tel: 5465 98203/31738
Mob: Service: 9708844488

For more details:

Visit us at: www.honda2wheelersindia.com | Customer Care: customercare@honda.hmsi.in

Follow us at :



[honda2wheelers.in](https://www.facebook.com/honda2wheelers.in)



[honda2wheelerin](https://www.instagram.com/honda2wheelerin)



[honda2wheelersin](https://www.youtube.com/honda2wheelersin)



[honda2wheelerin](https://twitter.com/honda2wheelerin)